

**RD126**

Santana PS-10,RR

**\*\*THIS MODEL IS NO LONGER IN PRODUCTION, CROSSED OUT PARTS ARE UNAVAILABLE**

### PARTS LIST

ITEM #	QTY	DESCRIPTION	PART #	NOTES
01	1	FLANGE CAP	022604	
02	1	CLUTCH GEAR	050202	
03	1	DIFFERENTIAL CASE	011304	
04	1	RETURN SPRING (PK OF 4)	150101SP	
05	3	CROSS SHAFT RETAINING PIN	120303SP	
06	1	LONG CROSS SHAFT	060205	
07	2	SHORT CROSS SHAFT	060402	
08	1	PISTON	040202SP	
09	1	BONDED SEAL	160705SP	
10	1	CYLINDER CAP ASSEMBLY	030504	
11	1	CYL CAP RETAINING BOLT (PK OF 8)	200205SP	
12	1	LOCKING TAB (8mm) (PK OF 8)	150401SP	
13	1	TAPERED ROLLER BEARING	NOT SUPPLIED	
14	1	SEAL HOUSING RETAINING CLIP	150601SP	
15	1	SPLINED SIDE GEAR	SEE NOTE	2
16	1	PINION THRUST WASHER (PK OF 4)	151102SP	
17	4	PINION GEAR	SEE NOTE	2
18	1	SPIDER BLOCK	070201SP	
19	1	SIDE GEAR	SEE NOTE	2
20	1	S GEAR THRUST WASHER (PK OF 2)	151006SP	
21	1	ADJUSTER NUT	100801SP	
22	1	SEAL HOUSING KIT	081901SP	
23	1	SEAL HOUSING O-RINGS (PK OF 2)	160207SP	1
*	1	BULKHEAD FITTING KIT (O-RING TYPE)	170111	
*	1	PUSH-IN FITTING (5mm to 1/8"BSPP)	170201SP	
*	1	AIR LINE (5mm DIA X 6m LONG)	170301SP	
*	1	SOLENOID VALVE (12V)	180103	
*	1	SWITCH	180209SP	
*	1	SWITCH COVER (REAR)	180211SP	
*	1	CABLE TIE (PK OF 25)	180305	
*	1	OPERATING & SERVICE MANUAL	210200	
*	1	INSTALLATION GUIDE	2102126	

\* *Not illustrated in exploded view*

### NOTES

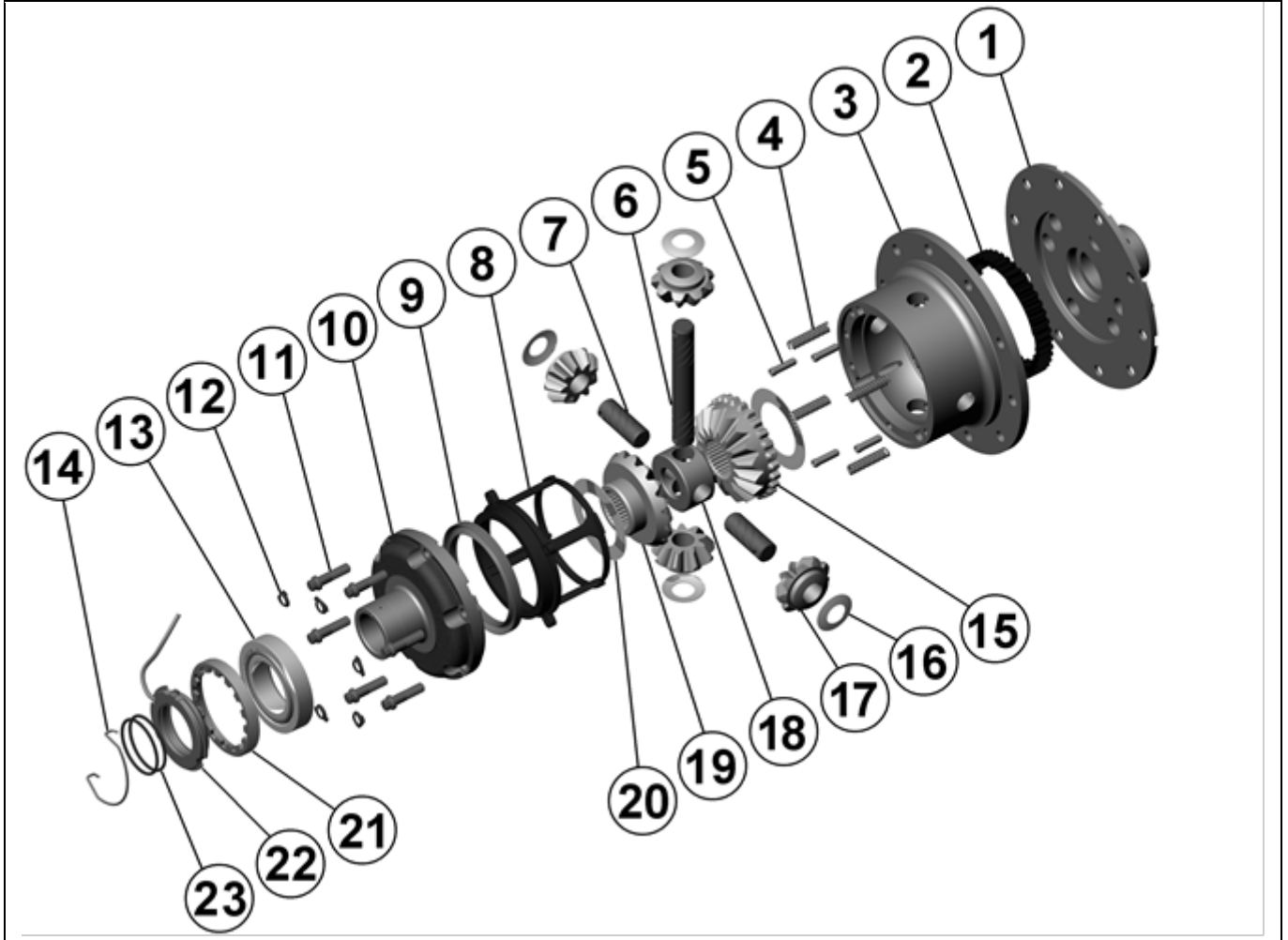
- 1 For replacement O-rings use only BS136 Viton 75.
- 2 Available only as complete 6 gear set # 728A054
- Refer to seal housing set-up tech note ([Sec. 5.2](#)).

**RD126**

Santana PS-10,RR

**\*\*THIS MODEL IS NO LONGER IN PRODUCTION, CROSSED OUT PARTS ARE UNAVAILABLE**

### EXPLODED DIAGRAM



### SPECIFICATIONS

Axle Spline	34 tooth, Ø31.5mm [1.24"]
Ratio Supported	All
Ring Gear ID	160.0mm [6.30"]
Ring Gear OD	251mm [9.9"]
Ring Gear Bolts	12 bolts on Ø190.6mm [7.50"]