

RD202

Nissan C200/R200A,29 SPL

PARTS LIST

ITEM #	QTY	DESCRIPTION	PART #	NOTES
1	1	FLANGE CAP KIT	027334SP	
2	1	BONDED SEAL	160702SP	
3	1	CLUTCH GEAR & WAVESPRING KIT	050906SP	
4	4	SHORT CROSS SHAFT	060403SP	
5	1	SIDE GEAR	SEE NOTE	2
6	2	SIDE GEAR THRUST WASHER	SEE NOTE	3
7	1	COUNTERSUNK SCREW (PK OF 2)	200213SP	
8	1	RETAINING PIN SET (PK OF 4)	120601SP	
9	*	TAPERED ROLLER BEARING	NOT SUPPLIED	
10	1	SHIM KIT	SHK009	
11	1	SEAL HOUSING KIT	080803SP	
12	1	SEAL HOUSING O-RINGS (PK OF 2)	160205SP	1
13	1	WAVESPRING	150706SP	
14	1	SPLINED SIDE GEAR	SEE NOTE	2
15	4	PINION GEAR	SEE NOTE	2
16	4	PINION THRUST WASHER	SEE NOTE	3
17	1	SPIDER BLOCK	070201SP	
*	1	THRUST BLOCK (THREADED)	110401SP	
18	1	THRUST BLOCK	110501SP	
19	1	DIFFERENTIAL CASE	013034SP	
*	1	BULKHEAD FITTING (BANJO TYPE)	170114	4
*	1	AIR LINE (6mm DIA X 6m LONG)	170314	4
*	1	SOLENOID VALVE (12V)	180103	
*	1	SWITCH	180209SP	
*	1	SWITCH COVER (FRONT)	180210SP	
*	1	SWITCH COVER (REAR)	180211SP	
*	1	CABLE TIE (PK OF 25)	180305	
*	1	OPERATING & SERVICE MANUAL	210200	
*	1	INSTALLATION GUIDE	2102202	

* *Not illustrated in exploded view*

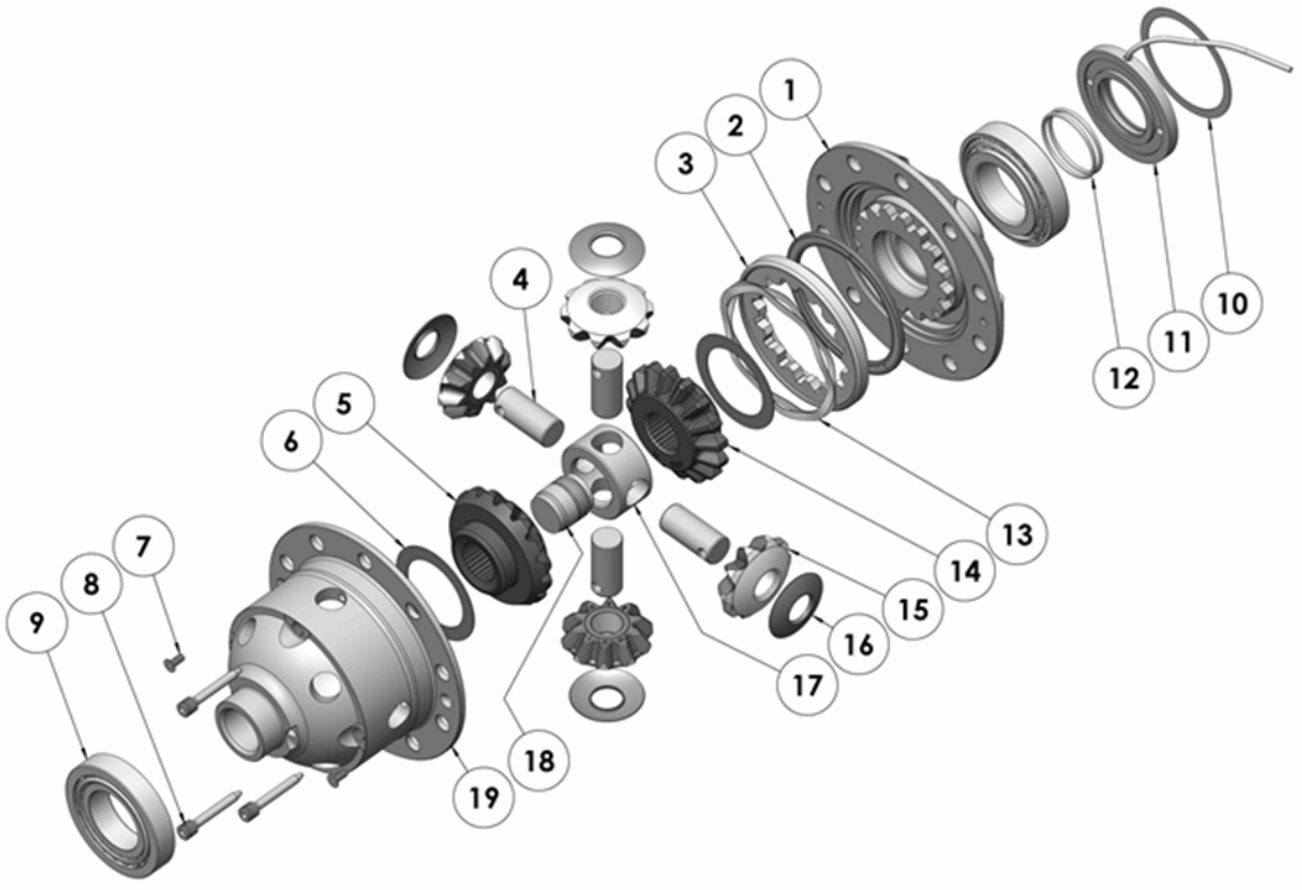
NOTES

- 1 For replacement O-rings use only BS132 Viton 75.
- 2 Available only as complete 6 gear set # 728H251
- 3 Available only as complete thrust washer kit #730H01
- 4 All diffs produced before serial #17070001 came with 5mm air connection system. For information contact ARB.
- When used with 10mm ring gear bolts, adapter sleeves of the following size are required:
 Outside: Ø12.15mm [0.478"]
 Inside: Ø10.45mm [0.411"]
 Length: 10mm [0.39"]
 Bolt Torque: 74Nm [55 ft-lb]
- Refer to axle modification tech note ([Sec. 5.4](#)) if axle binds inside carrier.
- Refer to pinion modification tech note ([Sec. 5.6](#))
- For 31 spline model refer to RD201 ([Sec. 2.201](#))

RD202

Nissan C200/R200A,29 SPL

EXPLODED DIAGRAM



SPECIFICATIONS

Axle Spline	29 tooth, Ø30.4mm [1.20"]
Ratio Supported	All
Ring Gear ID	128.0mm [5.04"]
Ring Gear Bolts	10 bolts on Ø150mm [5.91"]
Ring Gear Bolts Size	12mm
Ring Gear Torque	120Nm [89 ft-lb]
Backlash	0.13-0.18mm [0.005-0.007"]
Bearing Cap Torque	93Nm [69 ft-lb]

ARB Corporation Ltd • 42-44 Garden St Kilsyth VIC 3137 Australia
ARB 4X4 Accessories USA • 720 SW 34th St Renton WA 98057 USA
Australia & International Customer Service • +61 3 9761 6622
North America Customer Service • Toll Free 866 293 9078
www.arb.com.au (AUS & Int) www.arbusa.com (N. America)

