

RD72

Suzuki Sierra,RR,26 SPL**

****THIS MODEL WAS SUPERSEDED BY RD208, CROSSED OUT PARTS NOT AVAILABLE**

PARTS LIST

ITEM #	QTY	DESCRIPTION	PART #	NOTES
01	1	FLANGE CAP	023404	
02	1	CLUTCH GEAR	050704	
03	1	DIFFERENTIAL CASE	042804	
04	1	RETURN SPRING (PK OF 12)	150107SP	
05	1	RETAINING PIN SET (PK OF 3)	120403SP	
06	1	LONG CROSS SHAFT	060406	
07	2	SHORT CROSS SHAFT	060306	
08	1	PISTON	040801SP	
09	1	U-RING	160306SP	
10	1	CYLINDER CAP ASSEMBLY	031301SP	
11	1	CYL CAP RETAINING BOLT (PK OF 8)	200211SP	
12	1	LOCKING TAB (6mm) (PK OF 8)	150402SP	
13	1	TAPERED ROLLER BEARING	NOT SUPPLIED	
14	1	SEAL HOUSING RETAINING CLIP	150601SP	
15	1	SPLINED SIDE GEAR	SEE NOTE	2
16	1	PINION THRUST WASHER (PK OF 4)	151108SP	
17	4	PINION GEAR	SEE NOTE	2
18	1	SPIDER BLOCK	070704	
19	1	SIDE GEAR	SEE NOTE	2
20	1	S GEAR THRUST WASHER (PK OF 2)	151008SP	
21	1	ADJUSTER NUT	100101SP	
22	1	SEAL HOUSING KIT	081902SP	
23	1	SEAL HOUSING O-RINGS (PK OF 2)	160235SP	1
*	1	BULKHEAD FITTING KIT (O-RING TYPE)	170111	
*	1	PUSH-IN FITTING (5mm to 1/8"BSPP)	170201SP	
*	1	AIR LINE (5mm DIA X 6m LONG)	170301SP	
*	1	SOLENOID VALVE (12V)	180103	
*	1	SWITCH	180209SP	
*	1	SWITCH COVER (REAR)	180211SP	
*	1	CABLE TIE (PK OF 25)	180305	
*	1	OPERATING & SERVICE MANUAL	210200	
*	1	INSTALLATION GUIDE	210272	

* *Not illustrated in exploded view*

NOTES

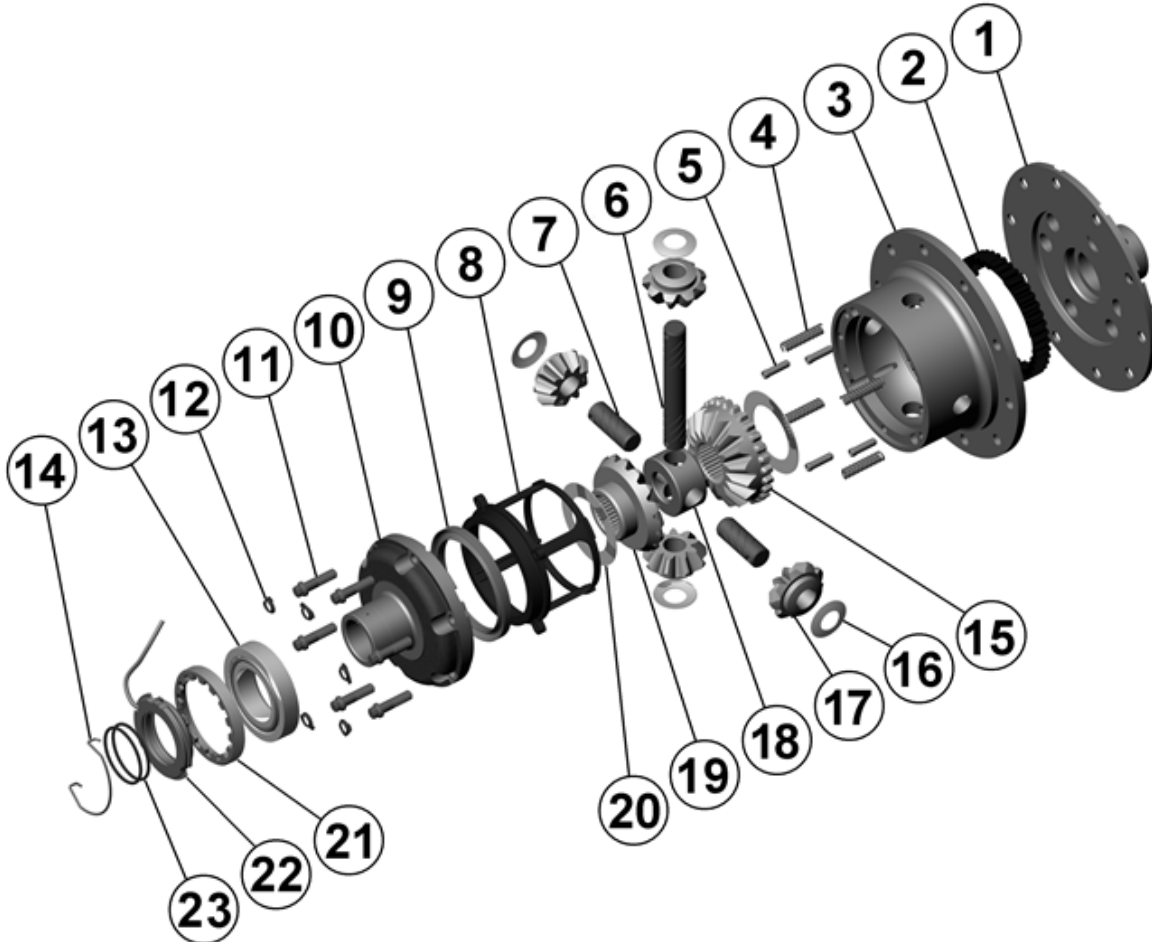
- 1 For replacement O-rings use only BS133 Viton 75.
- 2 Available only as complete 6 gear set # 728G044
- For seal housing set-up refer to tech notes (Section 5.1 & 5.2).

RD72

Suzuki Sierra,RR,26 SPL**

****THIS MODEL WAS SUPERSEDED BY RD208, CROSSED OUT PARTS NOT AVAILABLE**

EXPLODED DIAGRAM



SPECIFICATIONS

Axle Spline	26 tooth, Ø27.4mm [1.08"]
Ratio Supported	All
Ring Gear ID	108.0mm [4.25"]
Ring Gear Bolts	10 bolts on Ø130mm [5.12"]
Ring Gear Torque	85Nm [63 ft-lb]
Backlash	0.10-0.15mm [0.004-0.006"]
Bearing Cap Torque	85Nm [63 ft-lb]